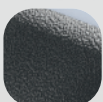


Monkey Tail Dummy Stay Bar

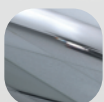


Features & Benefits

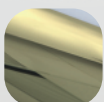
- Elegant design inspired by 19th century ironmongery
Classic finish to a heritage window
- Dummy stay bar suitable for both left and right handed windows
Reduced stock holding
- Manufactured from die-cast zinc with specially formulated finish
Harder wearing finish than traditional wrought iron furniture
- Matching Monkey Tail Handle also available
Create a perfectly matching heritage window
- Supplied with colour coordinated screws
Perfectly matching hardware, even down to the smallest detail
- Available in two sizes - 10" or 12"
Select a stay bar suited to the size of the window



Antique
Black



Hardex
Chrome

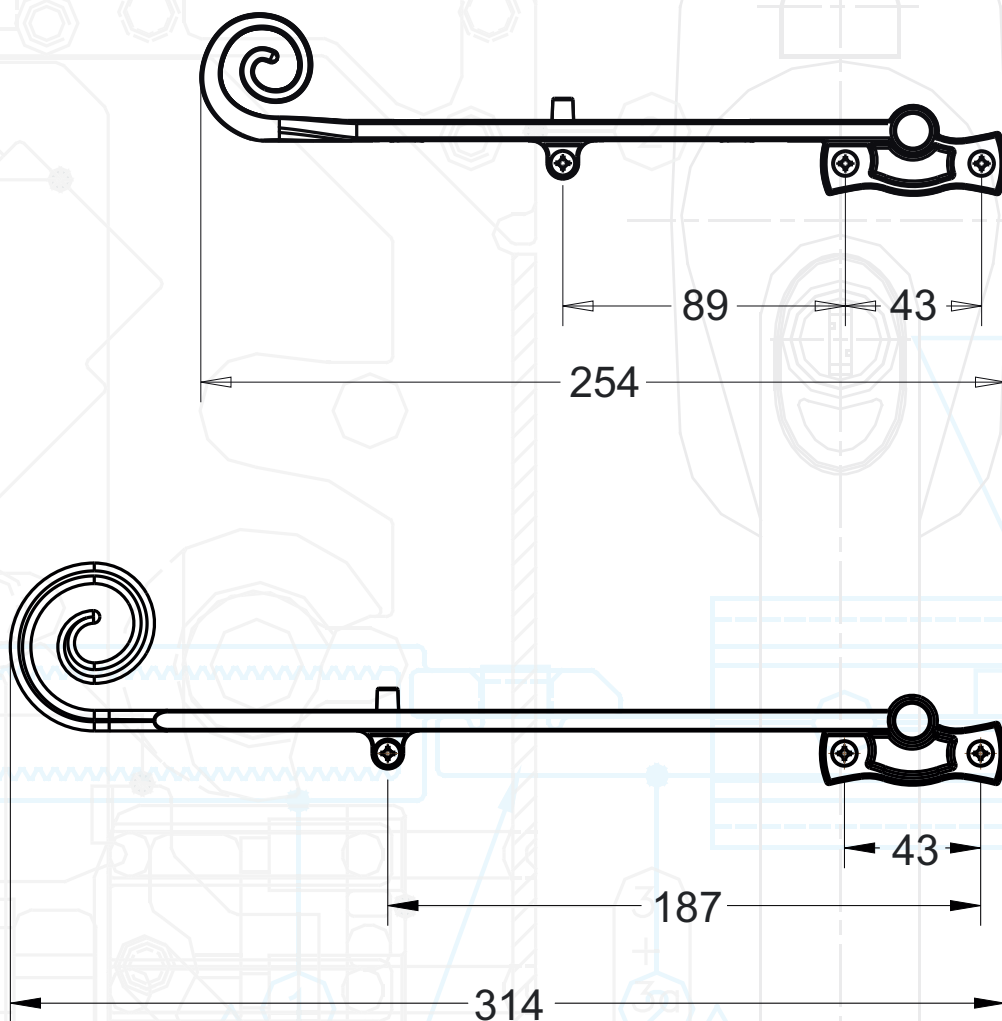


Hardex
Gold



Hardex
Graphite

Monkey Tail Dummy Stay Bar



All dimensions are shown in millimetres

Technical Specification

All finishes salt spray tested to 480 hours (BS EN 1670: Class 5)

Designed for PVC-U and Timber windows systems

Includes 3 x 4mm x 25mm colour coordinated screws

Product Codes

Monkey Tail Dummy Stay Bar

Size	Antique Black	Hardex Chrome	Hardex Gold	Hardex Graphite
10"	8A105	8A107	8A108	8A106
12"	8A073	8A080	8A079	8A074